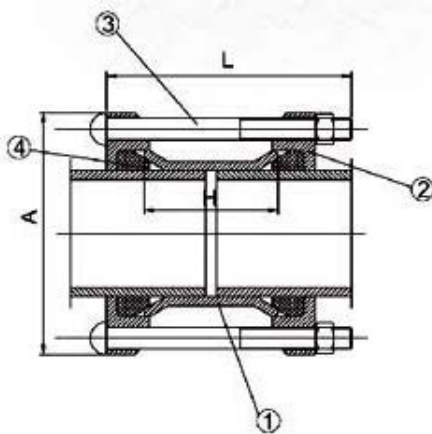


# UNIÓN AMPLIO RANGO



Art. No.:VJ1601

No.	Reference	Material	Standard
1	Sleeve	Steel/ductile Iron	S235/EN1563
2	End Ring	Ductile Iron GGG450-10	EN1563
3	Bolt And Nut	Steel 8.8 Dacromet/Zincod	ISO898-1
4	Gasket	EPDM/NBR	EN681-1
5	Coating	FBE/Rilsan Nylon	EN14901



Pipe Norm	Range	Bolt L	No.	A mm	H mm	Weight kgs	Pipe to fit					
							DI	ST	PVC	AC	CI	GRP
DN40	48-60	M12 x 170	2	150	98	2.4		★	▲			+
DN50	59-72	M12 x 170	2/4	156	98	2.5		★	▲	◆	○	+
DN65	72-85	M12 x 170	2/4	174	98	3.2		★	▲		○	+
DN80	88-103	M12 x 180	4	185	98	4.0	●	★	▲	◆	○	+
DN100	96-116	M12 x 180	4	205	98	4.5	●	★	▲	◆		
DN100	108-120	M12 x 190	4	210	98	4.6	●	★	▲			
DN100	105-125	M12 x 190	4	210	98	4.6	●	★	▲	◆	○	
DN100	109-128	M12 x 180	4	218	98	4.8	●	★	▲	◆	○	+
DN125	132-146	M12 x 180	4	240	98	6.1		★				+
DN125	138-153	M12 x 180	4	246	98	6.2		★	▲		○	+
DN150	158-172	M12 x 200	4	275	105	7.0	●	★	▲			
DN150	155-175	M12 x 200	4	275	105	7.0	●	★	▲			
DN150	159-182	M12 x 200	4	280	110	7.2	●	★	▲	◆	○	+
DN175	192-210	M12 x 210	4	312	130	8.0		★	▲		○	
DN200	198-225	M12 x 210	4	320	130	9.5	●	★	▲		○	+
DN200	218-235	M12 x 220	4/6	328	130	10.0	●	★	▲	◆	○	+
DN225	242-262	M12 x 220	6	360	130	12.0		★	▲	◆	○	
DN250	250-267	M12 x 220	6	368	130	14.0			▲	◆	○	
DN250	250-274	M12 x 220	6	370	130	14.0	●	★	▲	◆	○	+
DN250	272-289	M12 x 220	6	382	130	14.0	●	★	▲	◆	○	+
DN300	315-332	M12 x 220	6	430	130	16.5	●	★	▲			+
DN300	322-339	M12 x 220	6	435	130	16.0	●	★		◆	○	+
DN350	340-360	M12 x 220	6/8	455	130	20.0		★	▲	◆	○	
DN350	351-378	M14 x 230	8	510	130	23.0	●	★	▲	◆		+
DN350	374-391	M14 x 230	8	520	130	24.0	●			◆		
DN400	390-410	M14 x 220	8	530	130	25.0		★	▲	◆		
DN400	398-430	M14 x 270	8	560	140	26.0	●	★	▲	◆	○	+
DN400	417-437	M14 x 240	8	555	130	28.0	●			◆	○	+
DN400	425-442	M14 x 240	8	560	130	28.0	●				○	+
DN450	450-463	M14 x 270	8	585	130	30.0		★	▲	◆	○	
DN450	455-475	M14 x 270	10	600	130	32.0		★		◆		
DN450	476-500	M14 x 270	10	620	130	36.0	●		▲	◆	○	
Dn500	500-508	M16 x 270	10	620	130	38.0		★	▲	◆	○	
Dn500	500-533	M14 x 280	10	680	140	39.0	●	★	▲			+
Dn500	526-546	M14 x 270	10	663	130	40.0	●			◆	○	+
Dn600	600-630	M14 x 270	10	725	130	47.0		★	▲	◆	○	
Dn600	608-636	M14 x 270	10	740	130	48.0	●	★	▲			+
Dn600	630-650	M14 x 270	10	745	130	50.0	●		▲		○	
Dn700	710-739	M16 x 280	12	875	155	70.0	●	★	▲		○	+
Dn800	816-842	M16 x 330	12	986	180	80.0	●			◆	○	+