

SKYCERA®

www.skycera.com

Severe Service Valves for Severe Industries

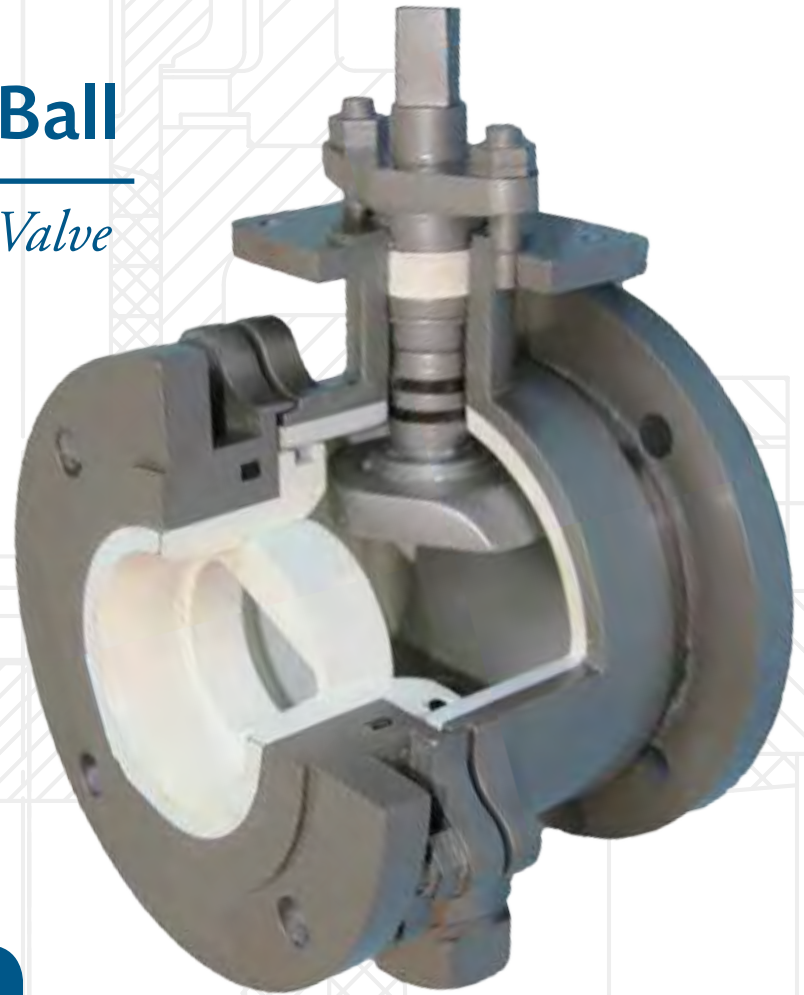
CSB Style Ceramic Segmented Ball

*Segmented Ball Ceramic Seated Valve
with Alloy Body*

- Segmented ball design allows higher pressure capability.
- Designed with ceramic-on-ceramic seating surfaces to resist abrasive attack and maintain seat integrity.
- Many alloys available, Carbon Steel, Stainless, Hastelloy and others.
- Ideal for hopper applications due to its self-cleaning characteristic.
- The CSB valve can be designed to meet any valve specifications including ANSI, DIN and JIS.
- Reduction in extensive use of body ceramics yields a value-oriented ceramic valve.

Used in these Applications:

- High Pressure Service
- Hopper Applications
- Less corrosive, but highly abrasive applications





Severe Service Valves for Severe Industries

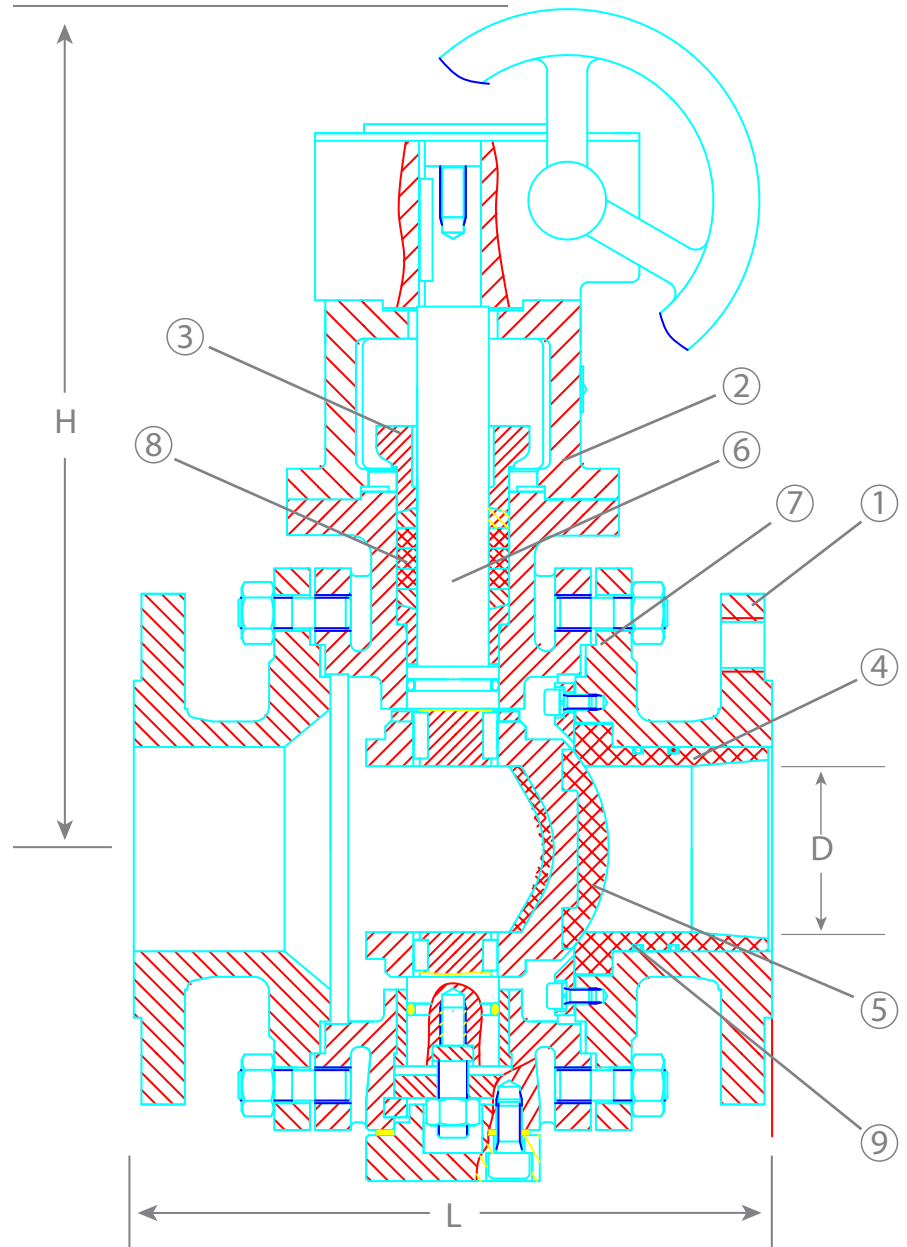
CSB Style Ceramic V Ball

*Segmented Ball Ceramic
Seated Valve with
Alloy Body*

Product Specifications

Typical Materials		
1	Body	WCB
2	Actuator Yoke	WCB
3	Packing Gland	WCB
4	Lining / Seat	Ceramic
5	Ring	Ceramic
6	Stem	AISI 420
7	Gaskets	PTFE
8	Packing	PTFE
9	O-rings	Viton

Standard Valve	
Pressure Rating:	550 psi
Temperature Rating:	300° (149° C)
Maximum Size:	12"
Extended range units available on custom basis.	



Dimensions (Inches, Class 150)

Size		1"	1 1/4"	1 1/2"	2"	2 1/2"	3"	4"	6"	8"
Face to Face	L	5.00	5.50	6.50	7.00	7.50	8.00	9.00	15.50	18.00
Bore	D	0.79	0.98	1.26	1.57	2.17	2.56	3.15	4.72	6.89
Height	H	10.08	10.67	10.98	11.57	12.05	12.95	16.81	20.28	25.98
Weight	lb	15.40	22.00	28.60	44.00	66.00	99.00	176.00	264.00	0.00