

SKYCERA®

www.skycera.com

Severe Service Valves for Severe Industries

CPV Style Ceramic Pneumatic Valve

Ultra Fine Powder and Fly Ash Service

- Designed for use with high abrasion media, including dust, catalysts, and other small particles.
- Gate seat is spring loaded to enhance sealing effect for ultra-fine powders.
- Expansive gate cavity allows flowable product to “flow” into open areas, allowing gate to close
- Ceramic internals for abrasion resistance
- Dual seats create bi-directional sealing.
- Multiple connections available, including ANSI and DIN Standard Flanged and pipe stub ends, for seamless integration into existing systems.
- Materials are selected on an application basis. Options include Super Duplex Stainless Steel, Hastelloy, Stainless Steel, Cast Steel, and others, as required.
- Ceramic seat materials are also selected on an application basis. Options include high alumina ceramics, silicon carbide, and others.

Used in these industries:

- Power Plant Pneumatic Fly Ash Handling
- Pneumatic Aluminum oxide transport.
- Transport of Ultra-Fine Particulate



CPV Style

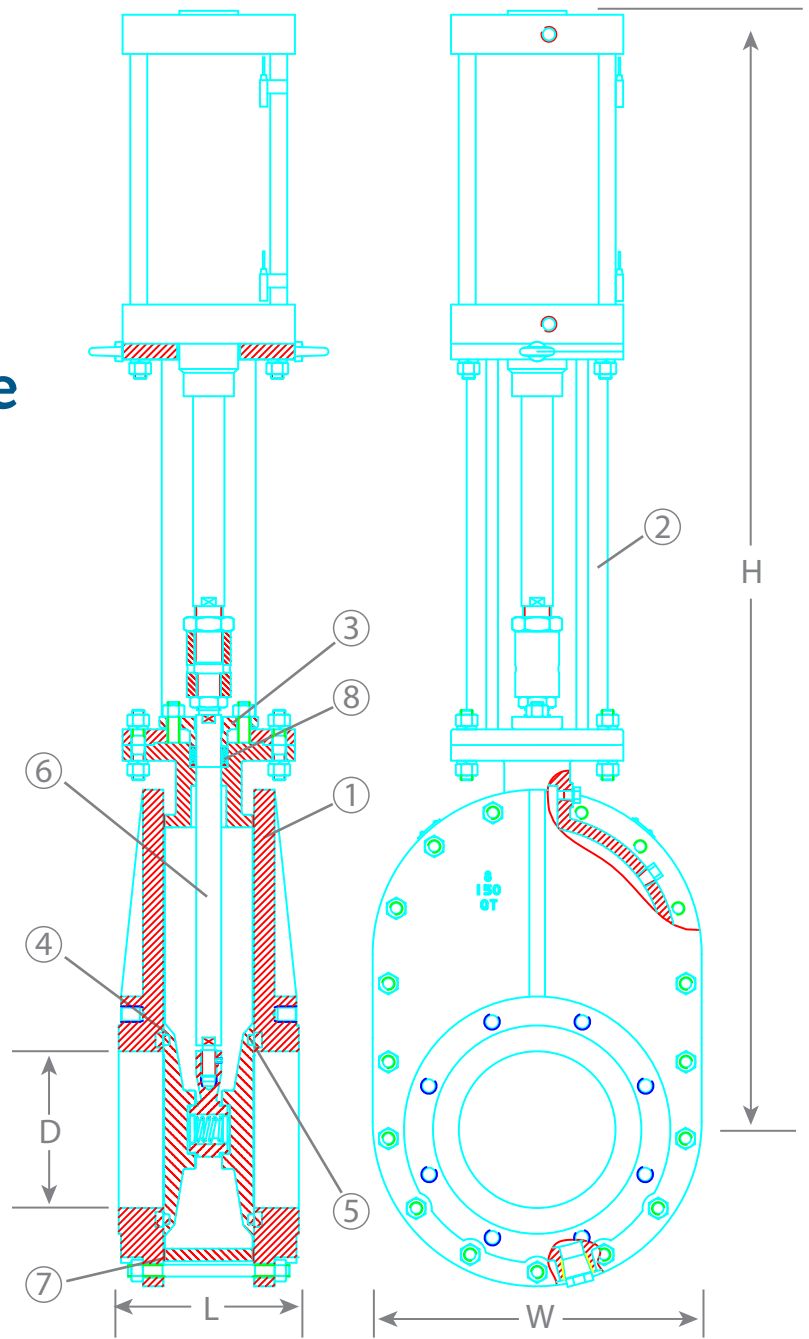
Ceramic Pneumatic Valve

Ultra Fine Powder and Fly Ash Service

Product Specifications

Typical Materials		
1	Body	WCB
2	Actuator Yoke	WCB
3	Packing Gland	WCB
4	Seat	Ceramic
5	Disc	Ceramic
6	Stem	AISI 420
7	Gaskets	PTFE
8	Packing	PTFE

Standard Valve	
Pressure Rating:	100 psi
Temperature Rating:	400° F (204° C)
Maximum Size:	12"
Extended range units available on custom basis.	



Dimensions (Inches, Class 150)								
Size		2"	3"	4"	6"	8"	10"	12"
Face to Face	L	4.49	4.49	5.12	6.69	9.06	11.02	12.20
Bore	D	1.89	3.07	3.94	5.90	7.87	9.84	11.81
Height	H			36.20	46.10	56.70	74.80	63.00
Width	W	7.80	9.45	11.50	14.48	16.54	22.04	24.80
Weight	lb	77.00	99.00	154.00	264.00	334.00		