

# SKYCERA®

www.skycera.com

Severe Service Valves for Severe Industries

## CBA Style Ceramic Ball Valve

- Ceramics withstand severe abrasion. Offering as much as 30X that of alloy materials.
- Process media is prevented from contacting alloy body that is fully lined with structural ceramics.
- Ceramics are nearly universally chemical resistant.
- Full control options, including 4-20mA positioner and actuator.
- Multiple ANSI and DIN flange standards available. ANSI 150, 300 and 600 classes are also available.
- Ceramic seat materials are selected on an application basis. Options include Alumina, Zirconia, Silicon Carbide, and others.
- Seat and Ball are lapped together in matched sets to insure positive sealing.
- Materials are selected on an application basis. Options include Super Duplex Stainless Steel, Hastelloy, Stainless Steel, Cast steel and others.



### Used in these Applications:

- Flue Gas Desulfurization (FGD)
- Slurry Control Applications
- Pneumatic transportation of powders
- Chemical Production



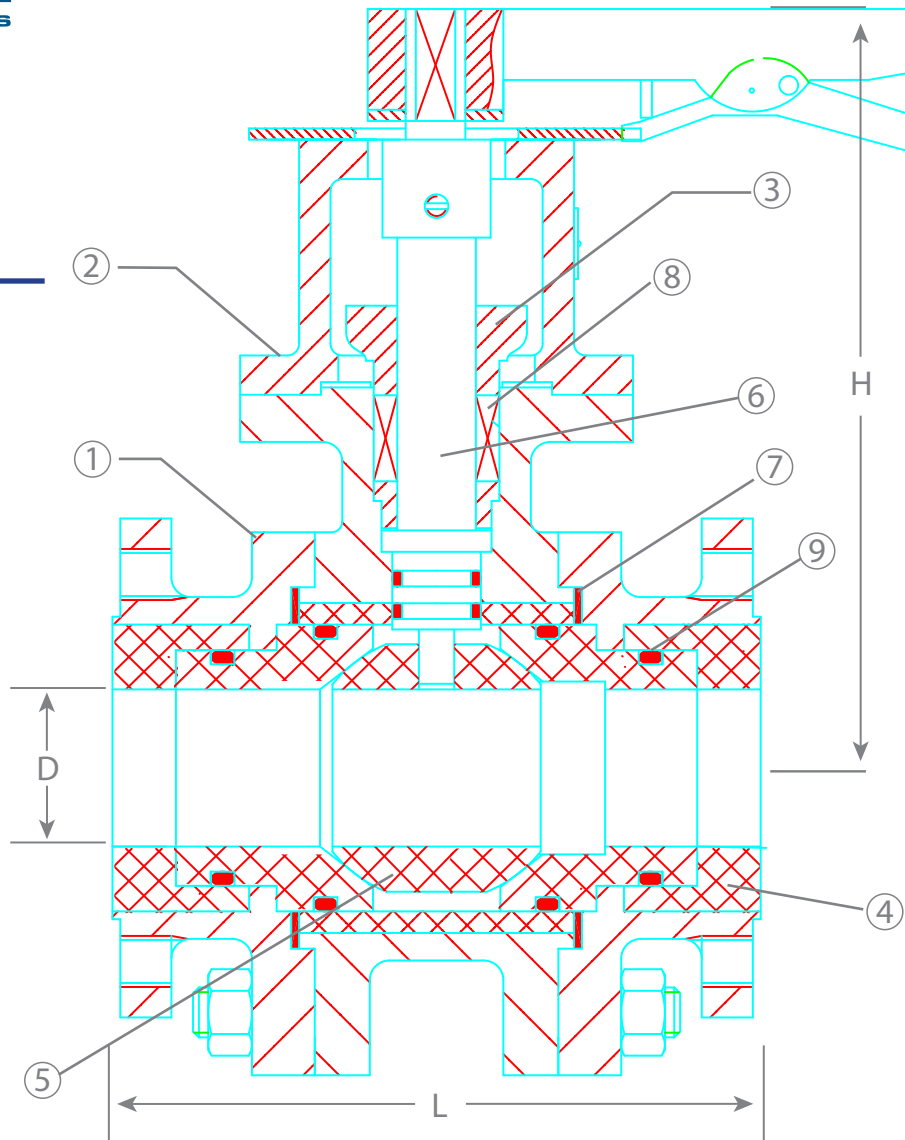
Severe Service Valves for Severe Industries

# CBA Style Ceramic Ball Valve

## Product Specifications

Typical Materials		
1	Body	CF8
2	Actuator Yoke	CF8
3	Packing Gland	CF8
4	Lining / Seat	Ceramic
5	Ball	Ceramic
6	Stem	Hastelloy
7	Gaskets	PTFE
8	Packing	PTFE
9	O-rings	Viton

Standard Valve	
Pressure Rating:	See Below
Temperature Rating:	400° F (204°C)
Maximum Size:	8 x 6"
Extended range units available on custom basis.	



## Dimensions (Inches, Class 150)

Size		1/2"	3/4"	1"	1 1/2"	2"	3"	4"	6 x 5"	6 x 6"	8 x 5"	8 x 6"
Face to Face	L	4.25	4.62	5.00	6.50	7.00	8.00	9.00	15.50	15.50	18.00	18.00
Special	L	2.80	3.13	3.35	4.37	4.72	6.48	7.62	9.84	9.84	11.22	11.22
Bore	D	0.50	0.75	0.98	1.58	1.97	2.56	3.15	4.92	6.00	4.92	6.00
Height	H	5.94		6.44	7.60	8.10	9.30	16.60	19.20	19.20		
Weight	lb	11.00	13.20	15.40	30.80	37.40	66.00	121.00	198.00	220.00	275.00	308.00
Full Port Cv		8	12	32	82	120	350	720	1638			
Pressure	psi	275	275	275	275	275	220	220	150	100	150	100