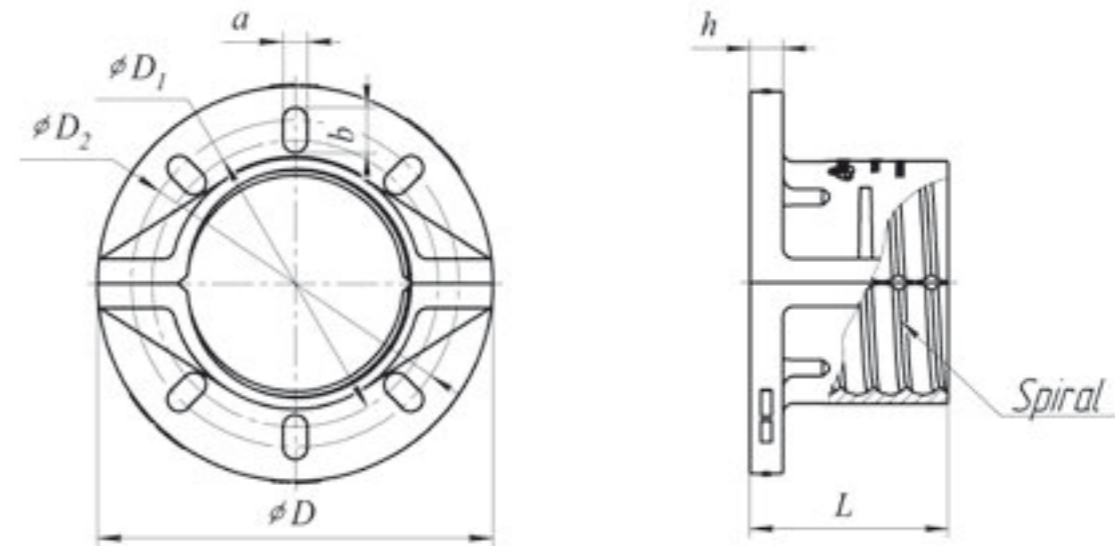


COUPLING COMPOSIT

IS A PART OF THE FLEXIBLE SLURRY HOSE SYSTEM COMPOSIT. IT IS DESIGNED FOR CONNECTION OF THE CORRUGATED HOSES AND SEPARATE ELEMENTS OF THE SYSTEM WHEN HANDLING DERIVED MATERIALS



BASIC DIMENSIONS OF THE COUPLING COMPOSIT

Part No	Diameter of hose	Outer diameter	Coupling dimensions				Height of the coupling	Thickness of the coupling	Dimensions of grooves of bolts	The number of half-couplings	The number of grooves in half-couplings	The number of holes in the coupling	Weight of the coupling without bolts and nuts		Working pressure
			D	D1	D2	D1							D2	L	
	mm	mm	min., mm	Max., mm	min., inch	Max., inch	mm	mm	mm	pcs	pcs	pcs	kg	pound	Mpa
C50	50	160	123	134	4 5/6	5 2/7	100	15	18x23,5	2	2	4	1.3	3.0	1
C65	65	185	145	150	5 5/7	5 8/9	120	20	18x20,5	2	2	4	2.4	5.3	1
C76	76	198	156	164	6 1/7	6 4/9	125	20	18x22	2	2	8	2.9	6.4	1
C102	102	220	180	190	7 1/9	7 1/2	125	20	18x23	2	3	8	3.3	7.2	1
C114	114	285	210	240	8 1/4	9 4/9	125	25	18x33	2	3	8	5.9	13.1	1
C133	133	290	210	240	8 1/4	9 4/9	150	25	18x33	2	3	8	5.7	12.6	1
C152	152	290	240	250	9 4/9	9 5/6	185	25	22x27	2	3	8	7.1	15.7	1
C159	159	290	240	250	9 4/9	9 5/6	185	25	22x27	2	3	8	6.2	13.6	1
C170	170	315	256	270	10 1/9	10 5/8	185	25	22x29	2	3	8	6.9	15.2	1
C200	200	340	287	303	11 2/7	11 8/9	185	25	22x30	2	4	8	6.6	14.6	1
C219	219	385	325	340	12 4/5	13 3/8	200	25	22x29,5	2	4	8	10.4	22.9	1
C245	245	405	350	360	13 7/9	14 1/6	200	25	22x27	2	5	12	11.3	24.8	1
C273	273	430	370	385	14 4/7	15 1/6	200	25	22x29,5	2	5	12	11.8	26.0	1
C300	300	476	400	430	15 3/4	16 8/9	210	25	22x37	2	5	12	13.6	30.0	1
C325	325	500	448	462	17 5/8	18 1/5	210	25	22x29	2	7	16	14.9	32.8	1
C351	351	530	455	490	17 8/9	19 2/7	300	30	22x39,5	4	3	16	25.5	56.1	1
C377	377	575	490	525	19 2/7	20 2/3	300	30	27x44,5	4	3	16	29.1	64.2	1
C402	402	600	515	550	20 2/7	21 2/3	300	30	27x44,5	4	3	16	29.8	65.7	1
C426	426	650	560	585	22	23	350	40	27x39,5	4	4	20	50.0	110.3	0.7
C508	508	720	638	660	25 1/8	26	450	40	27x38	4	4	20	63.0	138.9	0.7
C530	530	810	700	730	27 5/9	28 3/4	480	50	30x45	4	4	20	109.0	240.2	0.5
C610	610	830	750	785	29 1/2	30 8/9	550	50	30x47,5	4	4	20	122.2	269.5	0.5

C050.1 — equipped with bolts for connecting half-couplings and couplings together
C050.2 — equipped with bolts for connecting half-couplings

DESCRIPTION

The coupling COMPOSIT mainly consists of 2 or 4 identical segments to be mechanically fixed on the hose line. It is completed with gaskets for tight connection.

The couplings can be used repeatedly after the replacement of the hoses as they do not have direct contact with transported material.

INSTALLATION

Installation is executed via fasteners (bolts and nuts) which are included in the delivery pack. Special tools are not required.